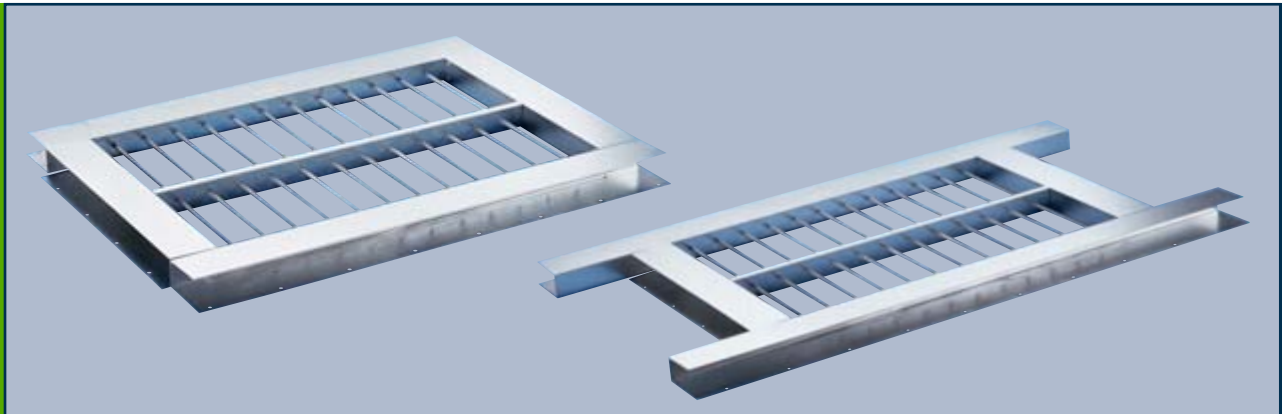


## ESSMANN® Intruder and Fall-through Protection



## Product Description

### ESSMANN® Intruder and Fall-through Protection

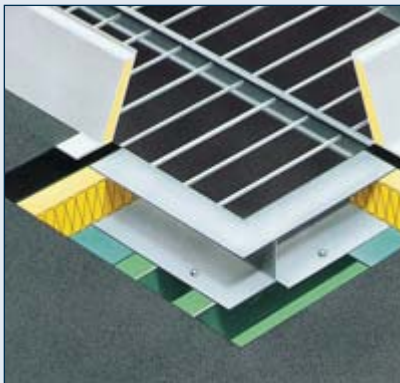


For all buildings in which valuable goods need to be protected against theft.

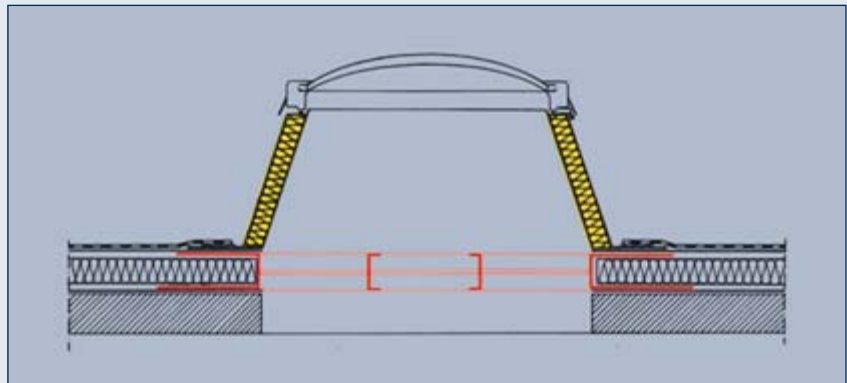
ESSMANN's intruder and fall-through protection is made of a galvanised steel frame, which is available in different heights - depending on the thickness of the insulation. Massive steel rods are inserted into the frame at equally spaced intervals.

This design makes it difficult for burglars to enter the building via the roof and the skylight dome.

If the ESSMANN intruder and fall-through protection is assembled while laying trapezoidal sheet metal then work safety is also guaranteed when performing roof works.



*ESSMANN intruder and fall-through protection is built into the roofing membrane underneath the skylight base.*



*If the ESSMANN intruder and fall-through protection is mounted above the roof opening, it also complies with an important fire protection function according to DIN 18234 – by incorporating insulation in the steel frame. Since this eliminates the need to lay additional plank bases, the roof works can be performed quickly and cheaply. The instructions for installation must be observed to guarantee the functional capability of ESSMANN's intruder and fall-through protection.*

*If the longitudinal beam is placed accordingly, ESSMANN's intruder and fall-protection can also act as a crossbeam.*

Further information can be found at [www.essmann.de](http://www.essmann.de)

ESSMANN GmbH  
 Im Weingarten 2  
 D-32107 Bad Salzufflen  
 Telephone +49 (0)5222.791-0  
 Telefax +49 (0)5222.791-236  
 E-Mail [info@essmann.de](mailto:info@essmann.de)  
[www.essmann.de](http://www.essmann.de)

A member of the **ESSMANN GROUP.**