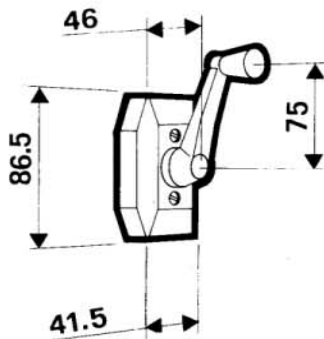
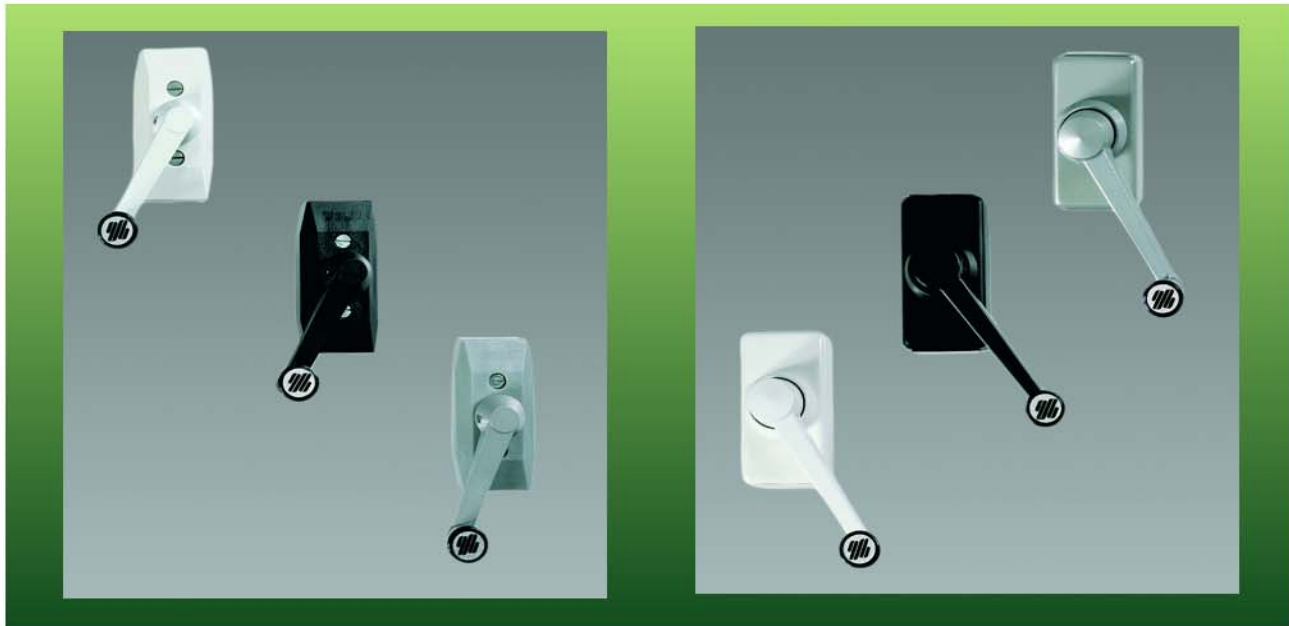


Flat and Mini operators



Flat Operator

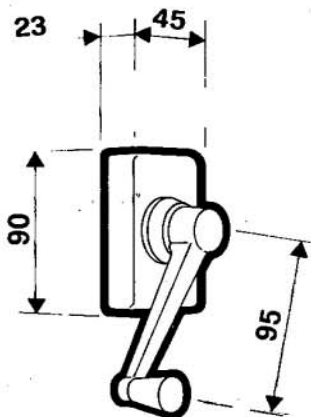
Can be used with the 250mm, 350mm chain openers and the locking opener.

The inside mechanism and handle are made in metal and the cover in plastic.

Maximum cable length: 6M. The spent travel tube is external.

Standard colour: White.

Available, at extra cost, in black, silver and sprayed to any specific RAL colour.



Mini Operator

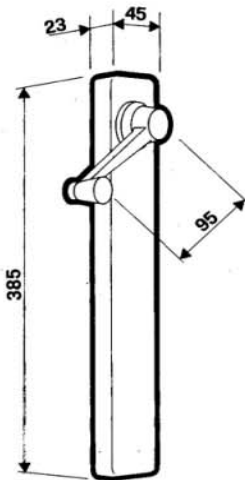
Can be used with all manual opening mechanisms.

Completely made in metal. The spent travel tube is external.

Standard colour: White.

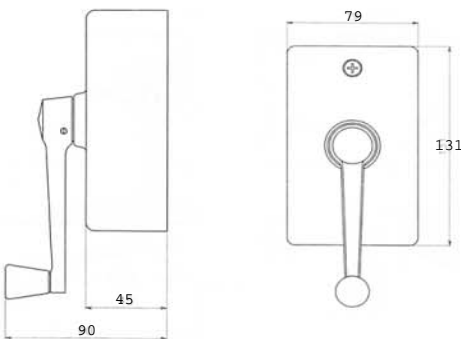
Available, at extra cost, in black, silver and sprayed to any specific RAL colour.

Simple and Geared operators



Simple Operator

Style and efficiency are the main features of this operator.
It incorporates an antitorque spent travel tube which allows a maximum stroke of 250mm. Therefore it is not suitable for use with the LJP350 chain opener.
Completely made in metal.
Standard colour: White.
Available, at extra cost, in black, silver and sprayed to any specific RAL colour.



Geared Operator

Ratio 5:1
Can be used with all types of manual openers.
Particularly suitable for operating heavy windows and multiple opening vents.
The inside mechanism and handle are made of in metal.
The cover is made in plastic. The spent travel tube is external.
Standard colour: White.
Available, at extra cost, in black, silver and sprayed to any specific RAL colour.