

Rack linear actuator

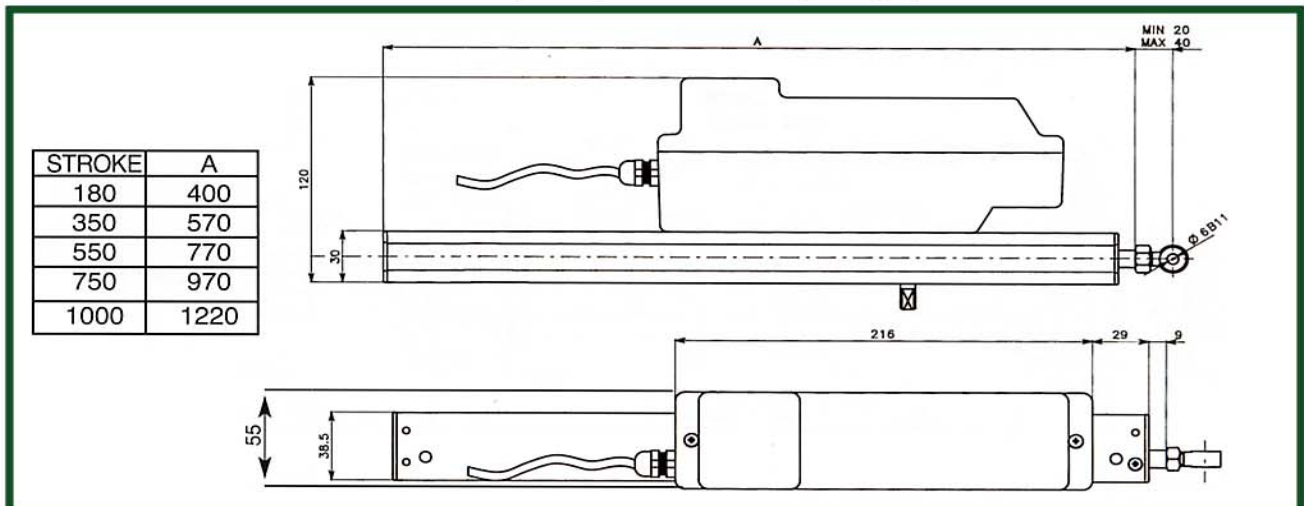


10mm square rack transmission.
Noiseless operation.
All of the actuators can be used in the dual - double rack version by adding connection rods.
High protection from atmospheric agents.
Supplied with 1.5m cable.
Can be supplied with end or sliding brackets, to be ordered separately.
Can be connected in parallel to operate more than one vent simultaneously.

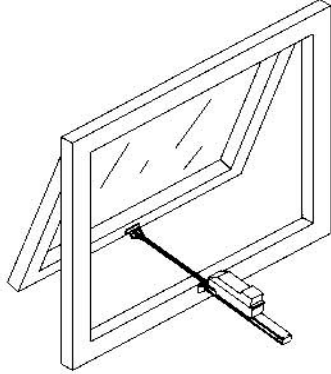
Technical Data:

	Rack 230Vac	Rack 24Vdc
Voltage supply:	230Vac +/- 10%	24Vdc +/- 10%
Thrust Force:	650N (350N for 1000mm)	
Stroke:	180mm/350mm/550mm/750mm/1000mm	
Absorbed current:	0.1A	1.2A
Loadless translation speed:	8 mm/s	
Protection:	IP 55	
Time rating:	50%	
Limit stop:	Electronic	
Safety stop:	Electronic	

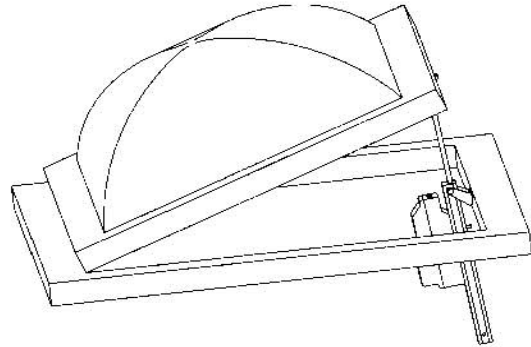
The actuators are tested one by one and periodical endurance tests (10,000 cycles) are carried out.



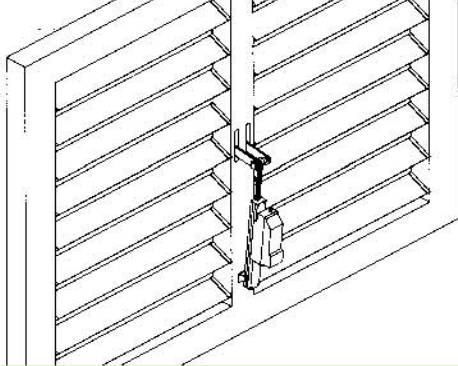
INSTALLATION ON TOP HINGED WINDOWS



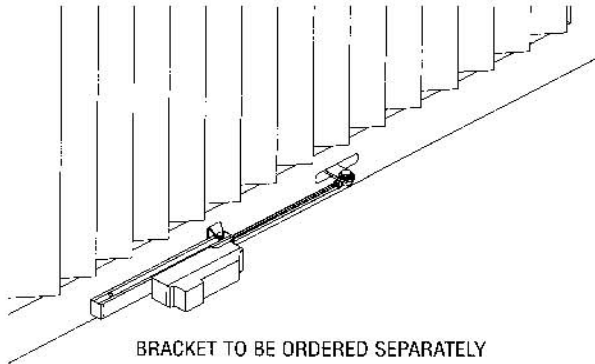
INSTALLATION ON DOMES



INSTALLATION ON LOUVRES

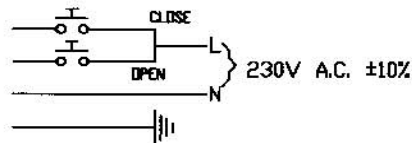
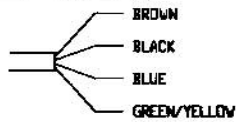


INSTALLATION ON SUN BLADES



BRACKET TO BE ORDERED SEPARATELY

RACK 230V AC



RACK 24V DC

