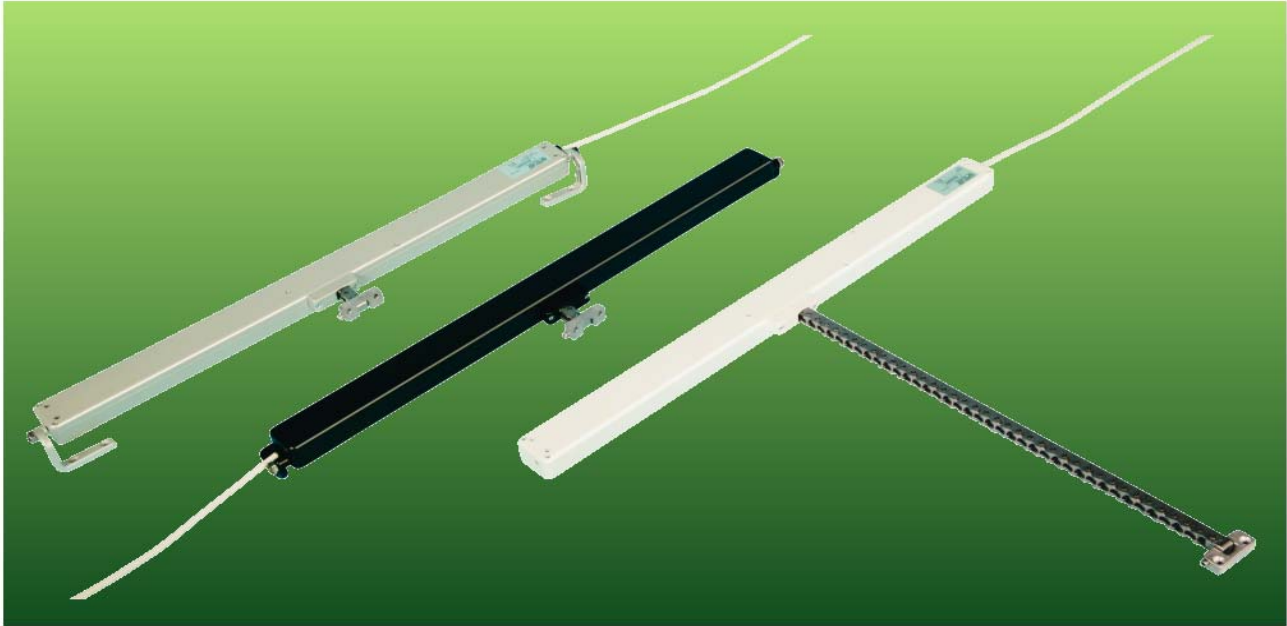
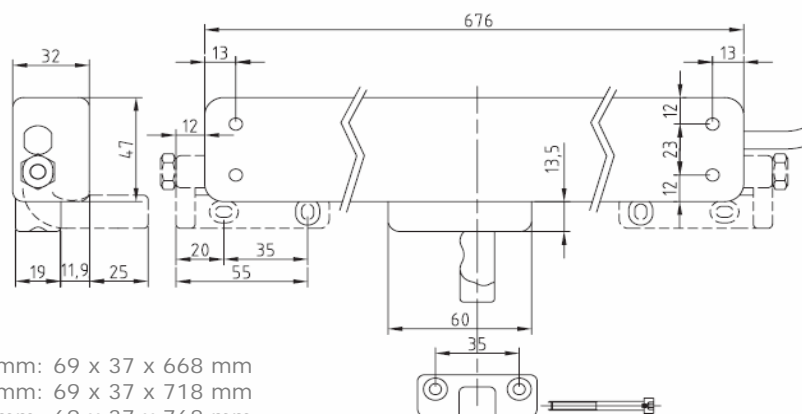


Quasar chain actuator

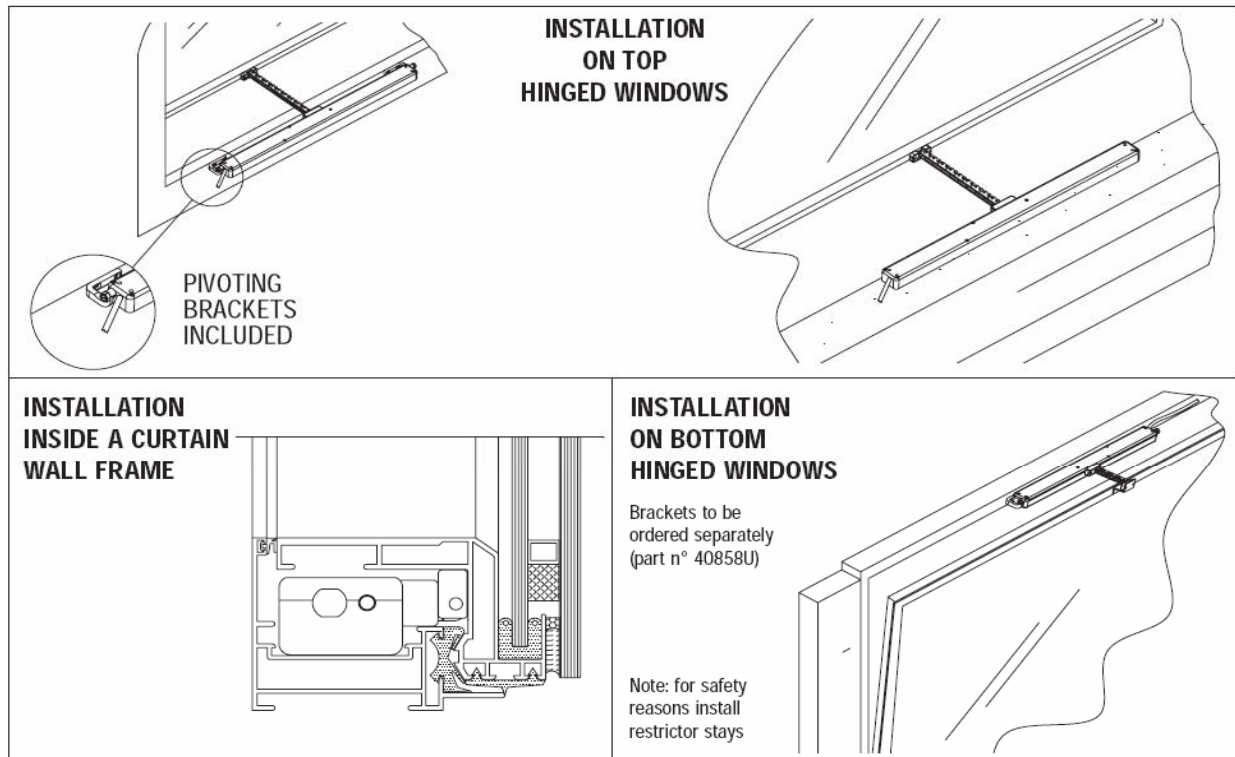


- **Highest performance in minimum size:** the casing in die-cast aluminium has a very small section (47 x 32 mm) and can be easily built-in into the frame of continuous facades.
- New concept **double link chain** completely in **stainless steel**.
- Quick and easy installation: manual closing position regulation is not required, avoiding possible mistake. The stop in closing position is regulated by an electronic limit switch.
- Low noise operation.
- Electronic stop in the intermediate positions in case of overload.
- Supplied with wired terminal board with 1,5m cable.
- No additional brackets are needed for windows with windowsill.
- For windows without windowsill or of a length inferior to 1500 mm install the pivoting brackets kit (included).
- Quick release system for easy window cleaning.

The actuators are individually tested and periodically endurance tests (10.000 cycles) are carried out.



Quasar – L 400 mm: 69 x 37 x 668 mm
 Quasar – L 500 mm: 69 x 37 x 718 mm
 Quasar – L 600 mm: 69 x 37 x 768 mm
 Quasar – L 750 mm: 69 x 37 x 818 mm



	QUASAR AC	QUASAR DC
VOLTAGE SUPPLY	120 V ca - 230 Vca	24 Vcc ±10%
STROKE	500 mm	500 mm
FORCE	300 N	300 N
SPEED	~ 15 mm/s	~ 15 mm/s
MAX CURRENT ABSORPTION	0,4 A - 0,2 A	0,8 A
PARALLEL CONNECTION	YES	YES
LIMIT STOP	Electronic	Electronic
SAFETY STOP	Electronic	Electronic
TIME RATING	50%	50%
PROTECTION CLASS	IP 20	IP 20
PART N: GREY RAL 9006	40837Z	40840C
BLACK RAL 9005	40838A	40841D
WHITE RAL 9010	40839B	40842E

