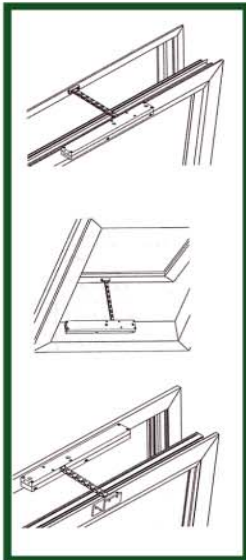
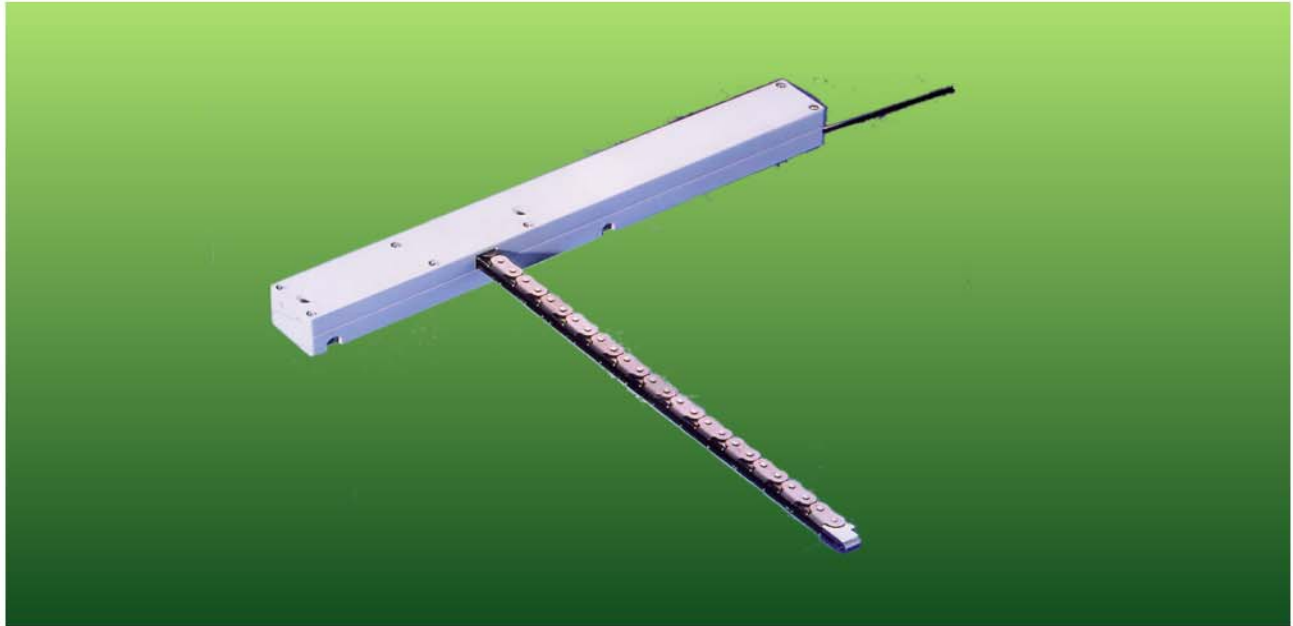


LM chain actuator



This actuator has great versatility as it can be fitted to any type of hinged vents and has been designed for easy installation.

It benefits from a double linked stainless steel chain and is capable of exerting 200N of open/close force.

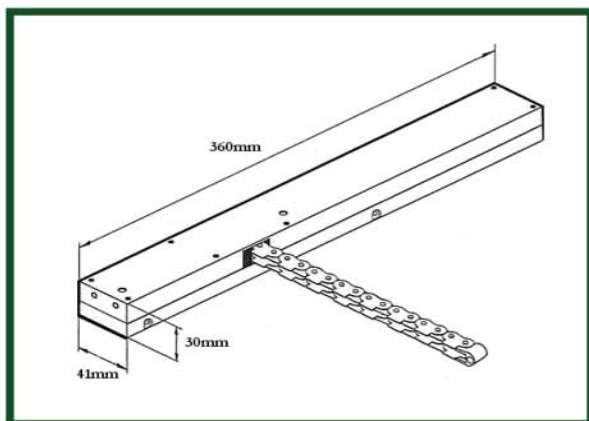
Security is also a feature of the LM and it has an impressive closure load of 2000N.

The 24Vdc version of this motor has been designed especially for smoke and heat dispersal and has met with strict German testing.

10mm packing plate or swivel brackets are available on request.

Standard colour: White

Can be sprayed to any specified RAL colour at extra cost.



Technical Data:

	LM-___-AC	LM-___-RWA
Voltage Supply:	230Vac~50Hz	24Vdc (-20/+30%)
Thrust force:	upto 300mm stroke: 200N	350mm stroke: 150N
Traction force:	upto 300mm stroke: 200N	350mm stroke: 150N
Stroke:	120mm/200mm/250mm/300mm/350mm	
Absorbed current:	0.225A	0.5A
Loadless translation speed:	8mm/s	8mm/s
Protection:	IP40	IP20